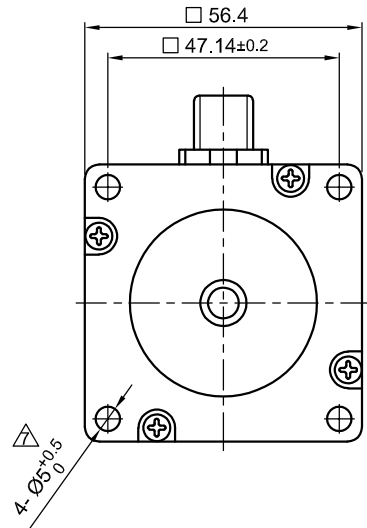
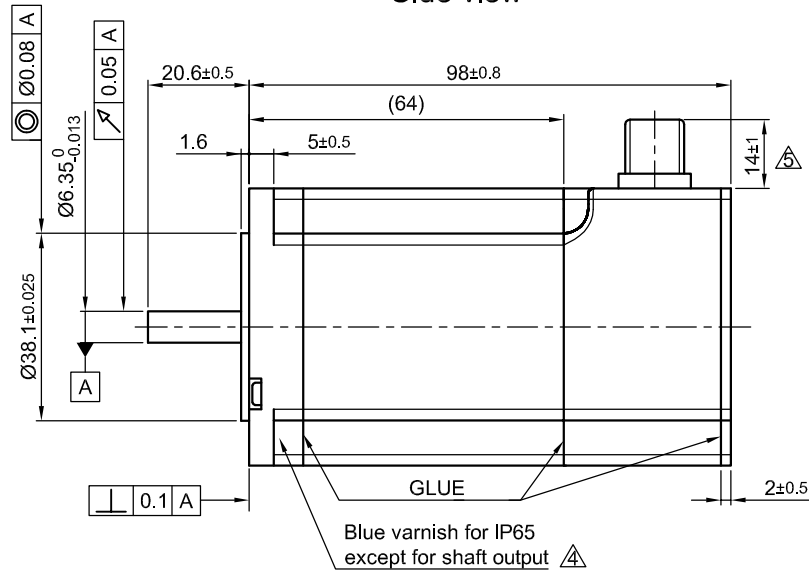


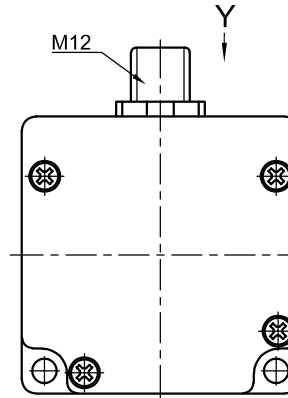
Front view and mounting



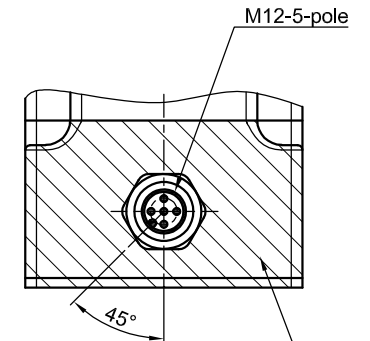
Side view



Rear view



Y view

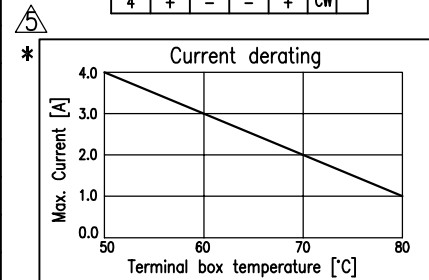


* Temperature on marked area must not exceed 80°C. From 50°C to 80°C follow derating curve.

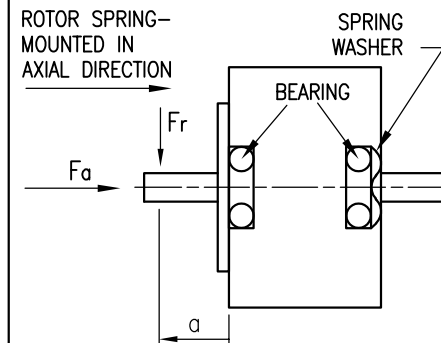
SPECIFICATION	CONNECTION	BIPOLAR PARALLEL
VOLTAGE (VDC)		2.4
AMPS/PHASE		4.2 *
RESISTANCE/PHASE (Ohms)@25°C		0.58±15%
INDUCTANCE/PHASE (mH) @1KHz		1.9±20%
HOLDING TORQUE (Nm) [lb-in]		1.87 [16.55]
STEP ANGLE (°)		1.8
STEP ACCURACY (NON-ACCUM)		±5%
ROTOR INERTIA (Kg-m ²) [lb-in ²]		4.8x10 ⁻⁵ [0.164]
WEIGHT (Kg) [lb]		1.14 [2.51]

FULL STEP 2 PHASE-Ex., WHEN FACING MOUNTING END (X)

STEP	A	B	A\	B\	CCW
1	+	+	-	-	↑
2	-	+	+	-	↓
3	-	-	+	+	↑
4	+	-	-	+	↓



PERMISSIBLE RADIAL+AXIAL FORCE



M12-5 pole Motor

NO.	ASSIGNMENT
1	A\
2	A
3	B
4	B\
5	HOUSING

TEMPERATURE RISE: MAX.80°C (MOTOR STANDSTILL; FOR 2 PHASE ENERGIZED) *
AMBIENT TEMPERATURE -10°~ 50°C [14°F ~ 122°F] *
INSULATION RESISTANCE 100 MOhm (UNDER NORMAL TEMPERATURE AND HUMIDITY)
INSULATION CLASS B 130° [266°F]
DIELECTRIC STRENGTH 500VAC FOR 1 MIN. (BETWEEN THE MOTOR COILS AND THE MOTOR CASE)
AMBIENT HUMIDITY MAX. 85% (NO CONDENSATION)

AXIAL-FORCE Fa (N)	Fa=15			
DISTANCE a (mm)	5	10	15	20
RADIAL-FORCE Fr (N)	130	90	70	52
	AXIAL	RADIAL		
SHAFT PLAY (mm)	0.08	0.02		
AT LOAD MAX: (N)	4.5	4.5		

CABLE MOTOR:
ZK-M12-5-2m(5m)
STRAIGHT OR 90° ANGLED

7	updt. resist./volt./tol.; del. det. torq	13.07.17	A.S.
6	change holding torque	17.08.16	A.S.
5	warning notice/ rework draw	05.04.16	A.S.
REV	DESCRIPTION	DATE	DRN



Surface specification DIN ISO 1302	General tolerances DIN ISO 2768- cH	Work piece edge DIN ISO 13715
---------------------------------------	--	----------------------------------

APVD	S.R.	12.12.08
CHKD		
DRN	J.W.	12.12.08
SIGNATURE	DATE	

STEPPER MOTOR IN PROTECTION

DWG.NO

AS5918L4204